

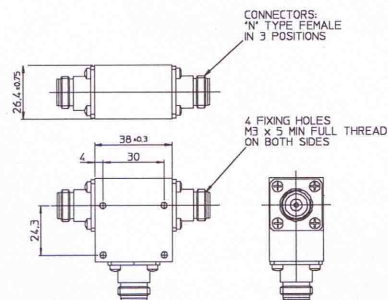
# Additional Electrical Specifications

Description	Frequency Range (MHz)			
	869 - 894	925 - 960	1805 - 1880	1930 - 1990
<b>single Junction ( 3 Port )</b>				
Circulator 3 N Female	FCC 3605	FCC 3615	FCC 5115	FCC 5255
Circulator 3 SMA Female	FCC 3606	FCC 3616	FCC 5116	FCC 5256
Isolator 2 N (f) +10 W Load	FIC 3607	FIC 3617	FIC 5117	FIC 5257
Isolator 2 SMA (f) + 10 W Load	FIC 3608	FIC 3618	FIC 5118	FIC 5258
Isolator 2 N(f) + 60 W Load	FIC 3609	FIC 3619	FIC 5119	FIC 5259
Isolator 2 SMA (f) + 60 W Load	FIC 3610	FIC 3620	FIC 5120	FIC 5260

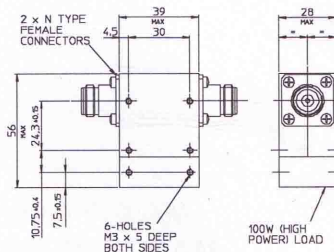
## Double Junction ( 4 Port )

3 N ( F ) +10 W Load	FIC 43600	FIC 43650	FIC 45150	FIC 45250
3 SMA ( F ) + 10 W Load	FIC 43601	FIC 43651	FIC 45151	FIC 45251
2 N ( F )+10 W + 60 W Load	FIC 43602	FIC 43652	FIC 45152	FIC 45252
2 SMA ( F ) +10W + 60 W Load	FIC 43603	FIC 43653	FIC 45153	FIC 45253

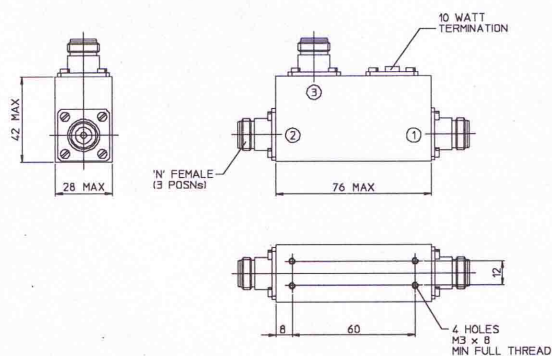
### 3 Port Circulator



### 3 Port Circulator with 60 W Load



### 4 Port Isolator



### 4 Port Isolator with 60 W Load

