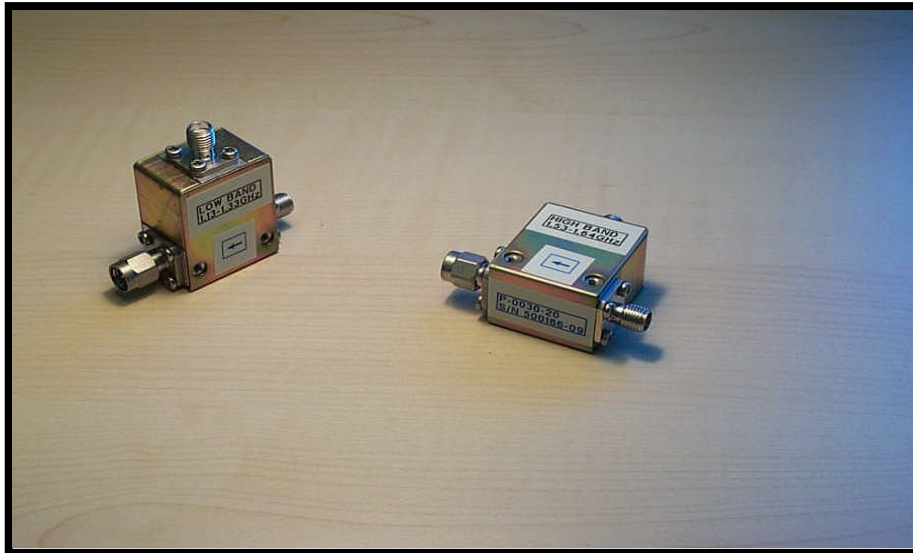


P-0030 Coaxial Isolator / Circulator

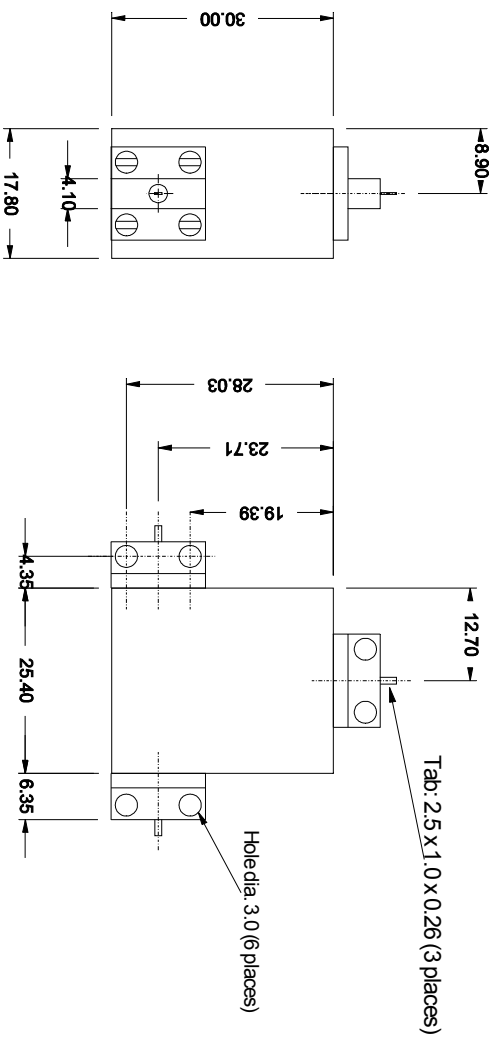


- * High Performance
- * Compact Design
- * Custom Connector Configuration (SMA, N and Tab)
- * 10W and 30W Termination Options

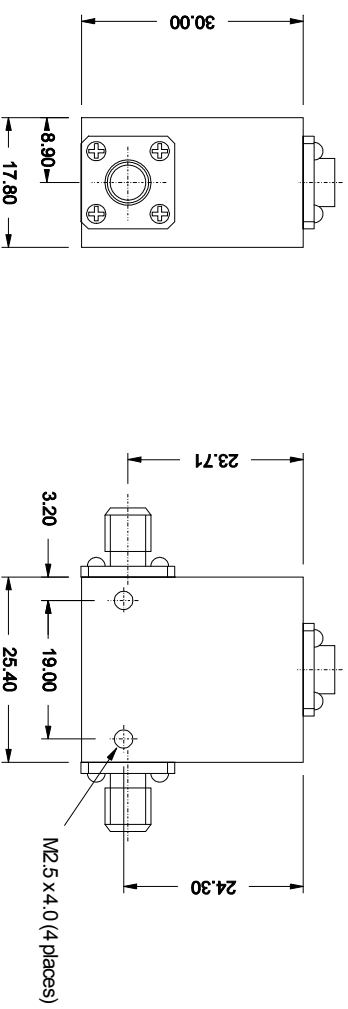
Isolator and Circulator versions of the P-0030 are available. The connector port configuration can be specified at the time of order, with both sexes of SMA and N type connectors available. A tab connector is also available to interface with a PCB launch. The Isolator can be fitted with a 10W, or 30W termination. The device can be configured with the termination on any of the 3 ports.

Frequency Range	1.1 - 1.9GHz with 15% Bandwidth
Impedance	50 ohm
Isolation	20dB min.
VSWR	1.25:1 max.
Insertion Loss	0.4dB max.
Forward Power	60W CW
OTR	-10 to +60 degrees Celsius
Connector Options	SMA, N (Male / Female), Tab
Termination Options	10W and 30W
Size	30 x 26 x 19mm(nom. excluding conns.)
Finish	Brushed Stainless Steel
Weight	60 grams (nom.)

P-0030 Series Mechanical



Circulator Fitted with Tab Connectors (Scale 1:1 Dimensions: mm)



Isolator Fitted with SMA Connectors and 10W Termination (Scale 1:1 Dimensions: mm)