



P-0190 Coaxial Isolator / Circulator

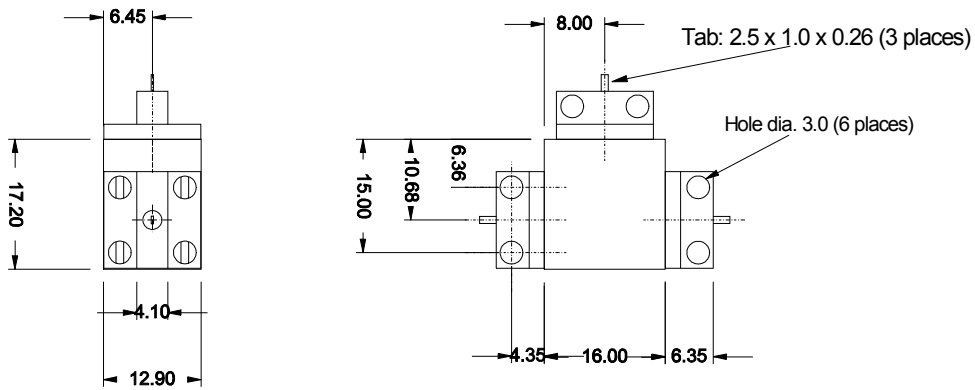


- * High Performance
- * Compact Design
- * Custom Connector Configuration (SMA, N and Tab)
- * 10W and 25W Termination Options

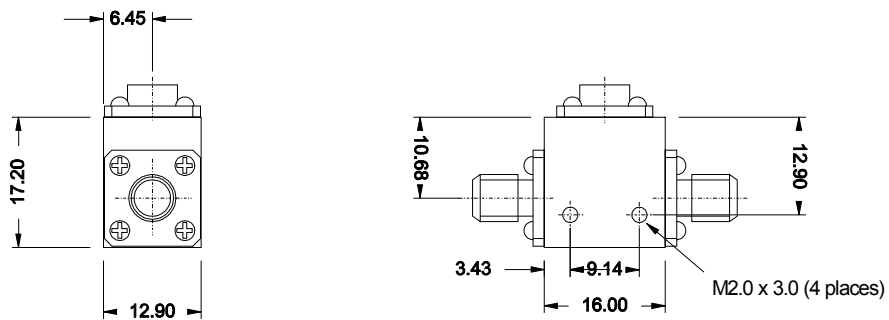
Isolator and Circulator versions of the P-0190 are available. The connector port configuration can be specified at the time of order, with both sexes of SMA and N type connectors available. A tab connector is also available to interface with a PCB launch. The Isolator can be fitted with a 10W or 25W termination. The device can be configured with the termination on any of the 3 ports.

Frequency Range	10.0 - 18.0GHz with 25% Bandwidth	
Impedance	50 ohm	
Isolation	20dB min.	22dB typ.
VSWR	1.25:1 max.	1.2:1 typ.
Insertion Loss	0.5dB max.	0.40dB typ.
Forward Power	25W CW	
OTR	-10 to +60 degrees Celsius	
Connector Options	SMA, N (Male / Female), Tab	
Termination Options	10W or 25W	
Size	16x17.2x13mm(nom. excluding conns.)	
Finish	Brushed Stainless Steel	
Weight	18 grams (nom.)	

Mechanical Outline



Circulator Fitted with Tab Connectors (Scale 1:1 Dimensions:mm)



Isolator Fitted with SMA Connectors and 10W Termination (Scale 1:1 Dimensions:mm)